

Dynamometer 05T with remote control for tare



Includes plastic case, manual and calibration report.

Mechanical properties

- Aluminum housing.
- Alloy steel pulling unit.
- Test load 2 x WLL (without losing accuracy).
- Safety factor 5 x WLL.
- International Protection Rating / Ingress Protection: IP65 (EN60529).

Electrical specifications

- Alkaline battery (3 x AA type).
- Battery operating time approx. 180 hours.

Electronic specifications

- Operating temperature between -5 °C to + 55 °C.
- Accuracy up to approx. 0.1% of the reading value.
- Battery indicator.

Standard delivery

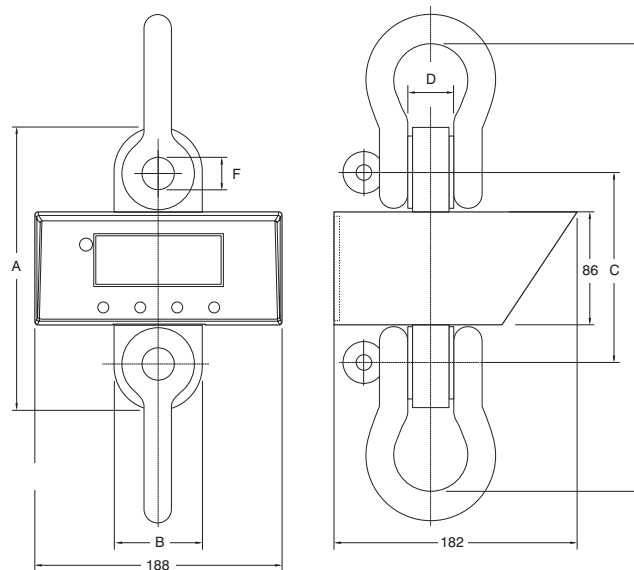
- Bow shackles (3,2T and 6,3T).
- Remote control to tare.

Option

- Bow shackle from 10T.

Norm:

- EN12100-1/2, EMC2004/108/EG, EN13155, EN13889



Type	WLL (kg)	Resolutie (kg)	A (mm)	B (mm)	C (mm)	D (mm)	E (mm)	F (mm)	Bow shackle (t)	Weight (kg)	ProductId
DSD05T-3.2T	3200	1	199	69	130	25	269	20	3.25 in.	4.2	1514005
DSD05T-6.3T	6300	2	213	69	144	35	348	26	6.5 in.	6.5	1514007
DSD05T-10.0T	10000	5	265	100	181	50	455	36	12 ex.	10.5	1514009